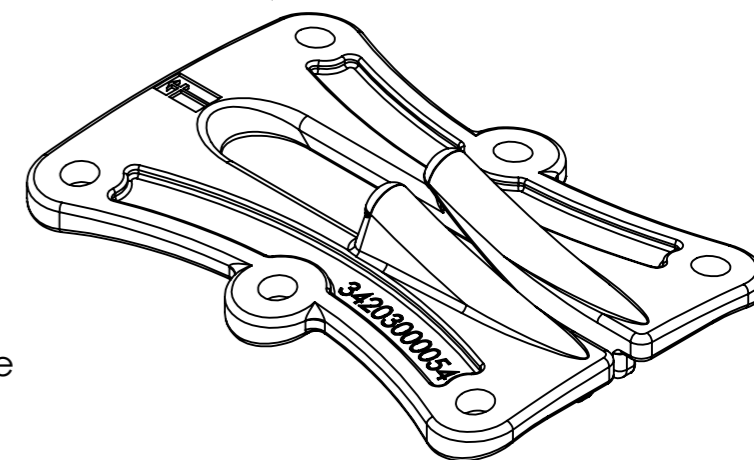
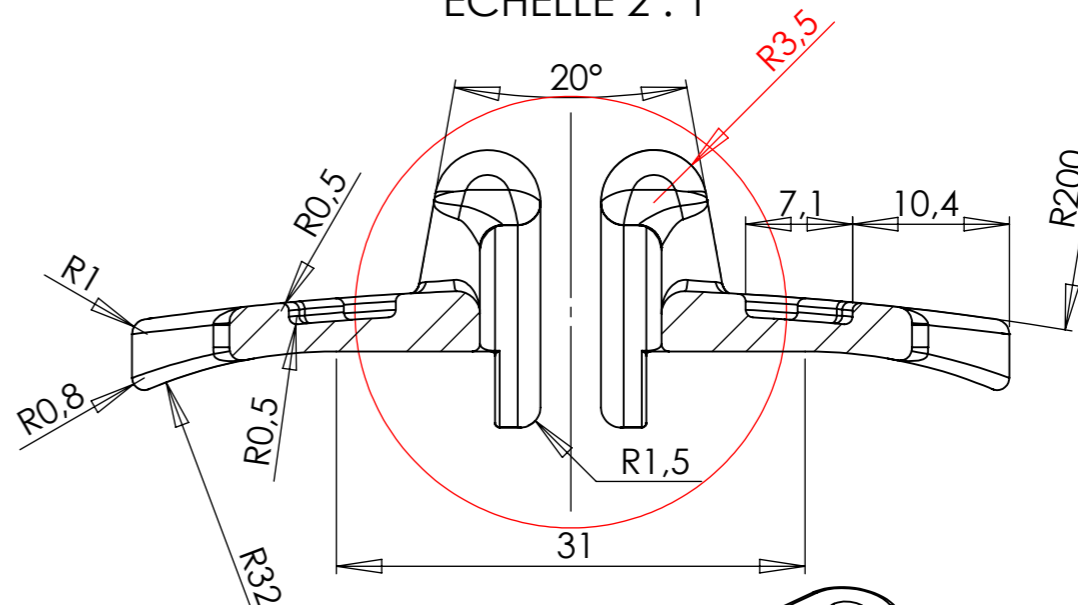


COUPE B-B
ECHELLE 2 : 1



For more detail see STEP file

| A | 24/05/2011 | G.Pasquier | Ouverture élargie 12 mm / Slot enlarged Bords d'attaques arrondis / Leading edge rounded Logo |
|--|---------------------------|--------------------------------|---|
| Vers. | Date | Author | Change modification |
| Revision | Part N° | 34203000054 | |
| A | | | Size A3 |
| Guide ralingue grand modèle fonderie inox polie | | | Sheet 1 / 1 |
| Author G.Pasquier | | | Scale 2:1 |
| Checked by | | Material Duplex 2205 | Gen. tol. ± 0,3 mm |
| Study N° 07042011GP01 | Date 08/03/2011 | Calc. weight 113.41g | Finishing Electropolish |
| | | | |



PROPRIETARY AND CONFIDENTIAL
The information contained in this drawing is the sole property of Sparcraft. Any reproduction in part or as a whole without the written permission of Sparcraft is prohibited.