

TECHNICAL SPECIFICATION SHEET | HCP

HCP ↓													
model	face plate	pump	functions	flow		height		width		depth		weight	
				1st-stage [cc/stroke]	2nd-stage [cc/stroke]	mm	in	mm	in	mm	in	kg	lb
HCP11CC	Carbon	1 stage	1	2,8	-	210	8 1/4	180	7 1/8	106	4 1/8	3,2	7,0
HCP11	Clear	1 stage	1	2,8	-	267	10 1/2	226	8 7/8	110	4 3/8	4,7	10,2
HCP11B	Black	1 stage	1	2,8	-	267	10 1/2	226	8 7/8	110	4 3/8	4,7	10,2
HCP11S	Stainless Steel	1 stage	1	2,8	-	267	10 1/2	226	8 7/8	120	4 3/4	5,2	11,3
HCP11C	Carbon	1 stage	1	2,8	-	267	10 1/2	226	8 7/8	120	4 3/4	4,5	9,8
HCP14	Clear	1 stage	4	2,8	-	267	10 1/2	226	8 7/8	110	4 3/8	5,4	11,8
HCP14B	Black	1 stage	4	2,8	-	267	10 1/2	226	8 7/8	110	4 3/8	5,4	11,8
HCP14S	Stainless Steel	1 stage	4	2,8	-	267	10 1/2	226	8 7/8	120	4 3/4	5,9	12,8
HCP14C	Carbon	1 stage	4	2,8	-	267	10 1/2	226	8 7/8	120	4 3/4	5,2	11,3
HCP21	Clear	2 stage	1	7,8	2,8	267	10 1/2	226	8 7/8	110	4 3/8	5,3	11,5
HCP21B	Black	2 stage	1	7,8	2,8	267	10 1/2	226	8 7/8	110	4 3/8	5,3	11,5
HCP21S	Stainless Steel	2 stage	1	7,8	2,8	267	10 1/2	226	8 7/8	120	4 3/4	5,8	12,6
HCP21C	Carbon	2 stage	1	7,8	2,8	267	10 1/2	226	8 7/8	120	4 3/4	5,1	11,1
HCP24	Clear	2 stage	4	7,8	2,8	267	10 1/2	226	8 7/8	110	4 3/8	6	13,1
HCP24B	Black	2 stage	4	7,8	2,8	267	10 1/2	226	8 7/8	110	4 3/8	6	13,1
HCP24S	Stainless Steel	2 stage	4	7,8	2,8	267	10 1/2	226	8 7/8	120	4 3/4	6,5	14,1
HCP24C	Carbon	2 stage	4	7,8	2,8	267	10 1/2	226	8 7/8	120	4 3/4	5,8	12,6

HCP

Single- or multi-function

A selector valve gives you effortless control of up to four functions.

One- or two-speed pump

An auto-shift two-speed pump means fewer strokes to reach maximum tension, enabling you to react more quickly.

Minimal dimensions

Compact design allows simple installation.
Custom configurations and dimensions on request.

Finish options

Clear anodised finish as standard. Optional offered in black anodised, stainless steel or carbon.



TECHNICAL SPECIFICATION SHEET | HEP/HCPE

HEP

model	pump	flow		height		width		depth		weight		voltage
		1st-stage [cc/min]	2nd-stage [cc/min]	mm	in	mm	in	mm	in	kg	lb	V
HEP200/12V	2 stage	1200	260	326	12 7/8	241	9 1/2	167	6 5/8	4,4	9,6	12
HEP200/24V	2 stage	2000	500	326	12 7/8	241	9 1/2	167	6 5/8	4,4	9,6	24

HEP

Silent

Modern, noiseless pump gives you silent operation.

Fast

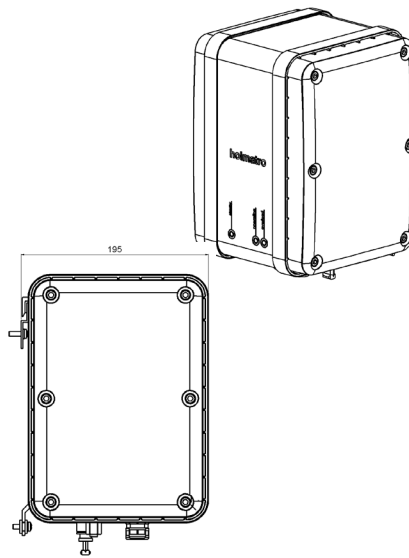
Operates three times faster than a manual pump.

Compact design

Easy to install, even when space is limited.

Comfort

Specially designed for comfortable, push button sailing.



HCPE

model	face plate	functions	height		width		depth		weight	
			mm	in	mm	in	mm	in	kg	lb
HCPE	clear	4	200	7 7/8	172	6 3/4	130	5 1/8	2,9	6,3
HCPBE	Black	4	200	7 7/8	172	6 3/4	130	5 1/8	2,9	6,3
HCPSSSE	Stainless Steel	4	200	7 7/8	172	6 3/4	130	5 1/8	3,4	7,4
HCPCE	Carbon	4	200	7 7/8	172	6 3/4	130	5 1/8	2,8	6,1

HCPE

Multi-function

A selector valve gives you effortless control of up to four functions with a HEP

Minimal dimensions

Compact design allows simple installation.

Custom configurations and dimensions on request.

Finish options

Clear anodised finish as standard. Optional offered in black anodised, stainless steel or carbon.

