

[HIA.II]

Stay tensioning rams with integrated pump unit

Since January 2019, Reckmann supplies the improved HIA.II integral adjuster.

The tension of the backstay has a significant impact on your yacht's sailing performance. By using the Reckmann integral adjusters, you can influence these sizes in a quick, powerful and targeted manner.

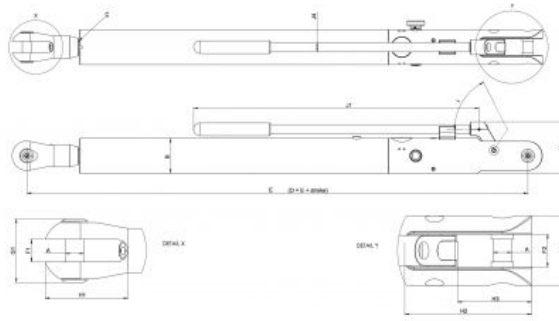
Your benefits at a glance:

- integrated pumps with two levels: in the lower pressure range, the cylinder is moved very fast and, when bearing heavier loads, the pump automatically switches to the next level and pressure on the lever is reduced.
- integrated oil line: the streamlined design means that the cylinder operates in a visually harmonious manner and there is no danger of the pipeline being damaged.
- As with all Reckmann components, the cylinders are also designed for optimal weight per performance.
- All cylinders are available in black. The bearing programme includes cylinders in sizes -10 to -60. On request, we can offer larger cylinders and cylinders made from other materials (stainless steel, carbon fibre, titanium).





[Facts]



Model			HIA.II-10	HIA.II-12	HIA.II-17	HIA.II-22
Article no.	black		59377	56189	57770	56261
	silver		63166	63167	63171	63172
max. working pressure	[bar]	-	350	440	350	440
max. pulling force	[t]	-	2,7	3,4	4,8	6,0
stroke	[mm]	-	325	325	365	365
pin diameter	[mm]	A	12,7	15,9	15,9	19,1
	[inch]		0,50	0,63	0,63	0,75
cylinder outside diameter	[mm]	B	49,5	49,5	60,0	60,0
piston rod diameter	[mm]	C	16,0	16,0	20,0	20,0
pin center length (extended)	[mm]	D	1125	1125	1221	1221
pin center length (retracted)	[mm]	E	800	800	856	856
clevis width	[mm]	F1	16,5	16,5	19,5	19,5
jaw width	[mm]	F2	20,5	20,5	28,0	28,0
max. clevis width	[mm]	G1	44,5	44,5	54,5	54,5
max. jaw width	[mm]	G2	49,5	49,5	59,8	59,8
clevis depth	[mm]	H1	58,3	58,3	72,8	72,8
max. jaw depth	[mm]	H2	99,0	99,0	108,5	108,5
min. jaw depth	[mm]	H3	48,0	48,0	63,0	63,0
max. handle angle	[°]	I	69,0	69,0	63,0	63,0
handle length	[mm]	J1	488,0	488,0	488,0	488,0
max. handle height	[mm]	J2	556,8	556,8	561,1	561,1
min. handle height	[mm]	J3	80,0	80,0	88,0	88,0
handle diameter	[mm]	J4	16,0	16,0	16,0	16,0
weight	[kg]	-	4,6	4,6	6,4	6,4
piston rod thread	[-]	-	5/8"-18 UNF	5/8"-18 UNF	3/4"-16 UNF	3/4"-16 UNF
service set article no.	[-]	-	63273	63273	63275	63275

[Related Products]



[Hoses and Fittings](#)



[Seal Kits Cylinder](#)



[Accessories for cylinders](#)